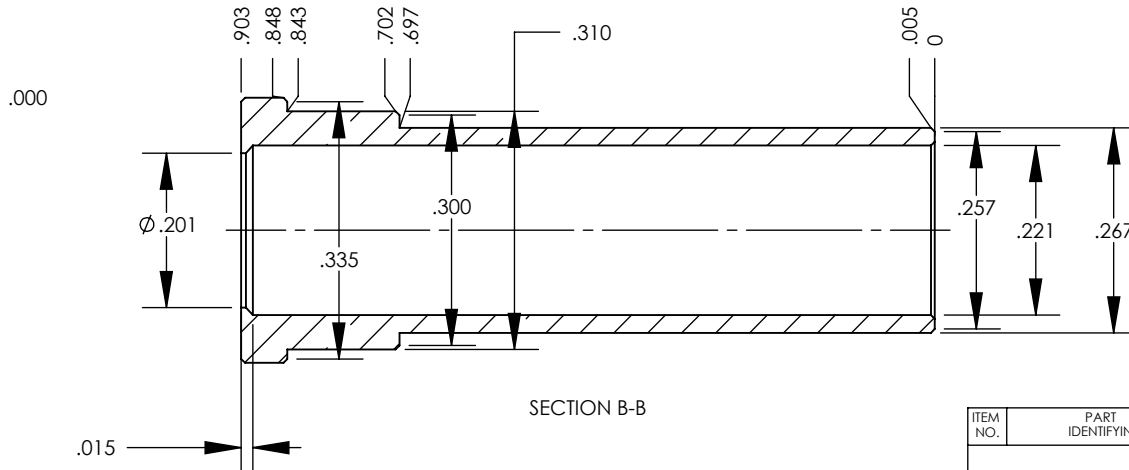
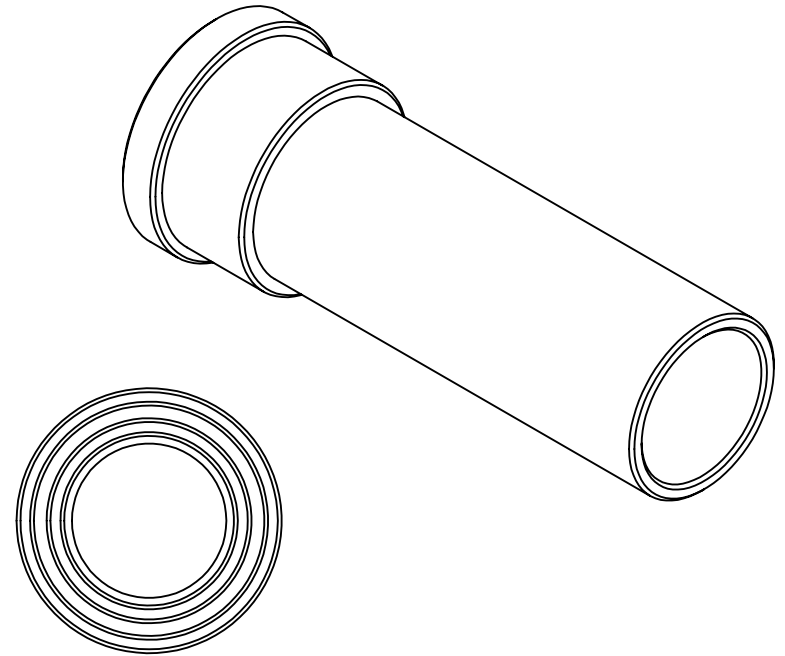
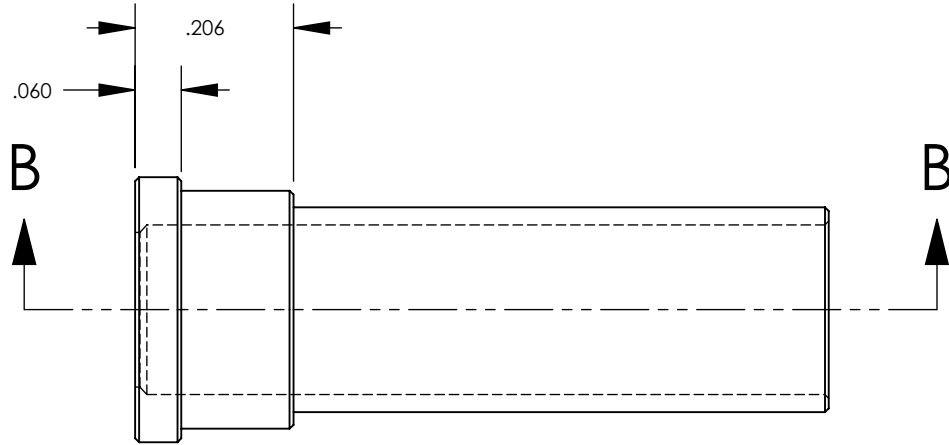


THE INFORMATION CONTAINED IN THIS DRAWING IS THE SOLE PROPERTY OF RAY-VIN, INC. ANY REPRODUCTION IN PART OR WHOLE WITHOUT THE WRITTEN PERMISSION OF RAY-VIN, INC. IS PROHIBITED. CONTACT:
 RAY-VIN, INC., 1844 MT CELLO RD
 MARIANNA, FL 32448-5365
 1-850-482-7562 email: rvb@ray-vin.com
 www.ray-vin.com



SECTION B-B

ITEM NO.	PART OR IDENTIFYING NO.	NOMENCLATURE OR DESCRIPTION	MATERIAL SPECIFICATION	QTY REQD
PARTS LIST				
UNLESS OTHERWISE SPECIFIED DIMENSIONS ARE IN INCHES TOLERANCES ARE: FRACTIONS DECIMALS ANGLES + .XX+ .XX + 1 .XXX+.XXX		CAD GENERATED DRAWING, DO NOT MANUALLY UPDATE	RAY-VIN, INC. Gamo Viper Shot Shell Case	
		APPROVALS DATE		
		DRAWN RVB 18Apr09		
		CHECKED		
MATERIAL 6061-T6		RESP ENG		
FINISH -		MFG ENG		
NEXT ASSY	USED ON	QUAL ENG	SIZE A	DWG. NO. 2009-006
APPLICATION		DO NOT SCALE DRAWING	SCALE	CAD FILE: SHEET OF