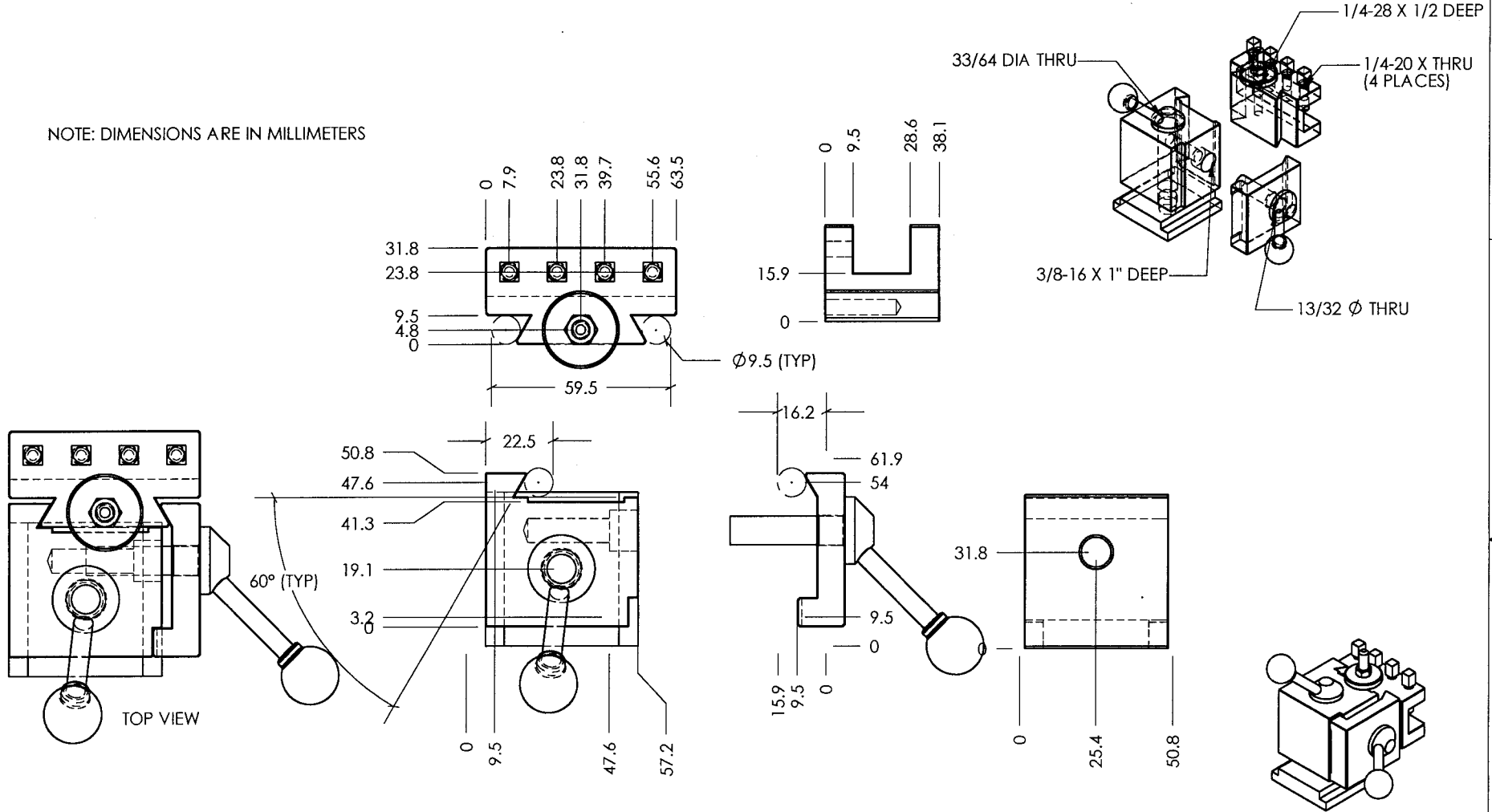


THE INFORMATION CONTAINED IN THIS DRAWING IS THE SOLE PROPERTY OF VIN-RAY, INC. ANY REPRODUCTION IN PART OR WHOLE WITHOUT THE WRITTEN PERMISSION OF VIN-RAY, INC. IS PROHIBITED.

NOTE: DIMENSIONS ARE IN MILLIMETERS



ITEM NO.	PART OR IDENTIFYING NO.	NOMENCLATURE OR DESCRIPTION	MATERIAL SPECIFICATION	QTY REQD
PARTS LIST				
UNLESS OTHERWISE SPECIFIED DIMENSIONS ARE IN INCHES TOLERANCES ARE: FRACTIONS DECIMALS ANGLES + .XX+ .XX + 1 .XXX+XXX		CAD GENERATED DRAWING. DO NOT MANUALLY UPDATE	VIN-RAY, INC.	
		APPROVALS	DATE	
		DRAWN	10-9-00	
		CHECKED		
		RESP ENG		
		MFG ENG		
		QUAL ENG		
MATERIAL --				
FINISH --				
NEXT ASSY	USED ON			
APPLICATION		DO NOT SCALE DRAWING		
SIZE A	DWG. NO.	2000-016		REV.
SCALE	CAD FILE:	SHEET		OF

D
C
B
A

D
C
B
A

8 7 6 5 4 3 2 1