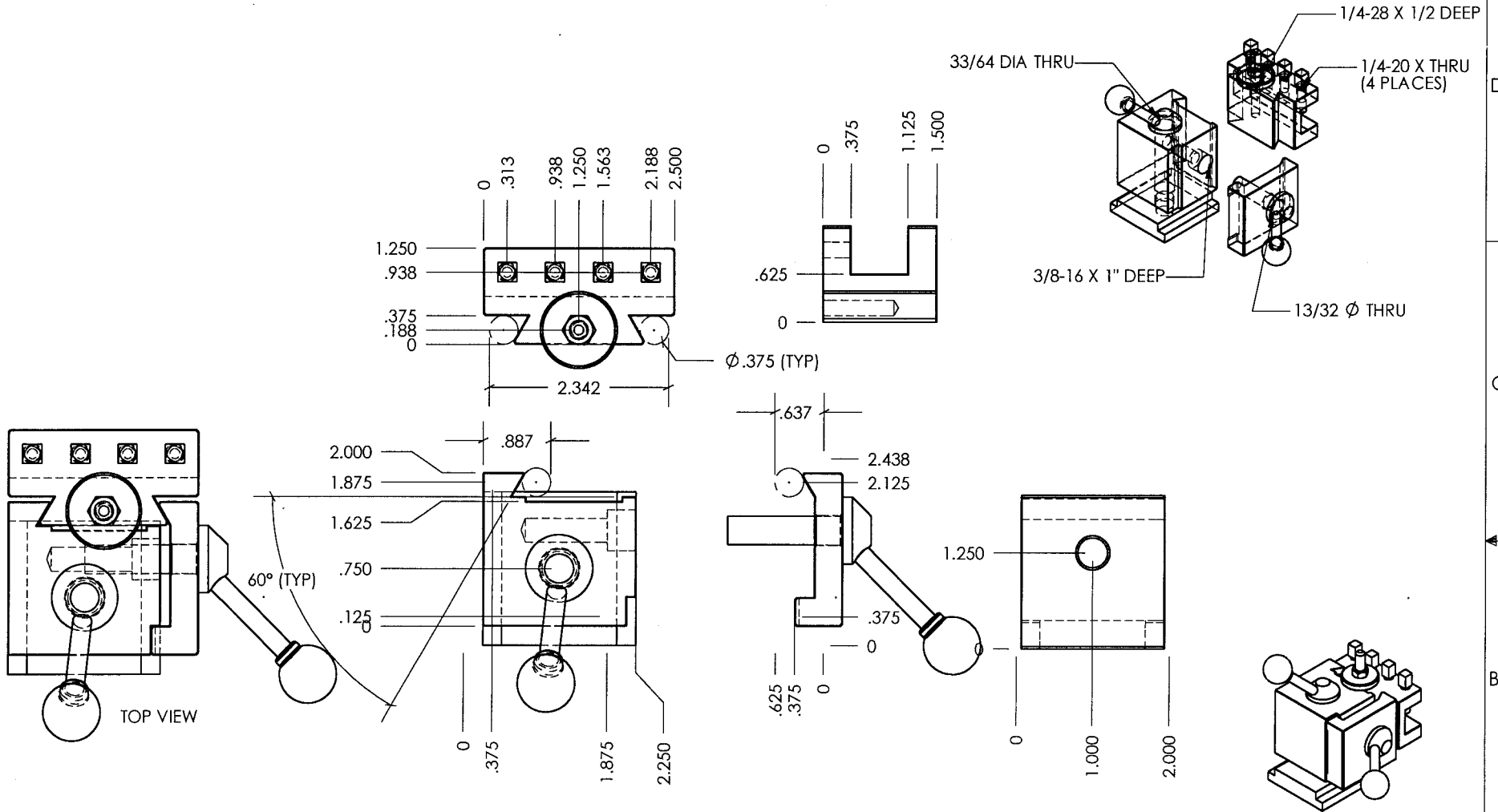


THE INFORMATION CONTAINED IN THIS DRAWING IS THE SOLE PROPERTY OF VIN-RAY, INC. ANY REPRODUCTION IN PART OR WHOLE WITHOUT THE WRITTEN PERMISSION OF VIN-RAY, INC. IS PROHIBITED.



ITEM NO.	PART OR IDENTIFYING NO.	NOMENCLATURE OR DESCRIPTION	MATERIAL SPECIFICATION	QTY REQD	
PARTS LIST					
UNLESS OTHERWISE SPECIFIED DIMENSIONS ARE IN INCHES TOLERANCES ARE: FRACTIONS DECIMALS ANGLES + .XX+ .XX + 1 .XXX+.XXX		CAD GENERATED DRAWING. DO NOT MANUALLY UPDATE	<b>VIN-RAY, INC.</b>  <b>DON BOSCO TOOL POST AX SIZE</b>		
		APPROVALS			DATE
		DRAWN			10-9-00
		CHECKED			
		RESP ENG			
		MFG ENG			
		QUAL ENG			
NEXT ASSY	USED ON	MATERIAL --			
APPLICATION		FINISH --			
		DO NOT SCALE DRAWING			
SIZE A	DWG. NO. 2000-016	REV.			
SCALE	CAD FILE:	SHEET OF			